



- Uncompromised Support For 10G
- Reduce Installation Times By Up To 95%
- Guaranteed High Quality Pre-termination

Product Description

The RapidNet Fibre Cassette is pre-terminated offering both SC and LC connectivity in either Singlemode or Multimode. LC Cassettes offer up to 24 ports in one cassette where as SC Cassettes offer up to 12 ports.

Each Cassette fits into the RapidNet panel, which accepts 4 cassettes in 1U of space, achieving a maximum of 96* fibre ports in 1U.

The RapidNet Fibre SC Multimode cassette offers either 6 or 12 ports using pre-terminated OM1, OM2, OM3 or OM4 fibre cable.

Because RapidNet Fibre Cassettes are pre-terminated and pre-tested, installation time can be reduced by up to 95% and virtually eliminating the risk of dust and dirt affecting the connectivity and overall performance.

Features and Benefits

- Save up to 95% on site installation
- Guaranteed high quality pre-termination
- Clean installation with minimal disruption
- Supports current standard cable forms of OM1, OM2, OM3 and OM4
- Completely pre-tested and pre-terminated

Product Description	Ordering Code	UNS Number
RapidNet Fibre SC Multimode Cassette 6 ports	FBFT06-SCSCM1-XX.XM	Available on request
RapidNet Finre SC Multimode Cassette 12 ports	FBFTS12-SCSCM1-XX.XM	Available on request

Technical Description

The pre-terminated fibre cassette is available in high density LC (24 fibre) and SC (12 fibre) versions as well as standard versions.

RapidNet fibre is available in a number of variations using either Singlemode or Multimode fibre cable. OS1, OS2, OM1, OM2, OM3 and OM4 with the choice of 6, 12 or 24 core fibre.

The cassette plugs in to the RapidNet panel allowing 4 cassettes in 1U of space. Using 24 port LC cassettes, 96 fibre ports in 1U is achievable or alternatively 48 using 12 port LC or SC cassettes.

The fibre is pre-terminated in a clean factory environment and all terminations are pre-tested before the product is sent to dispatch. The fibre cable is secured and protected by a rubber boot on entry into the cassette.

Dimensions and Product Construction Specification

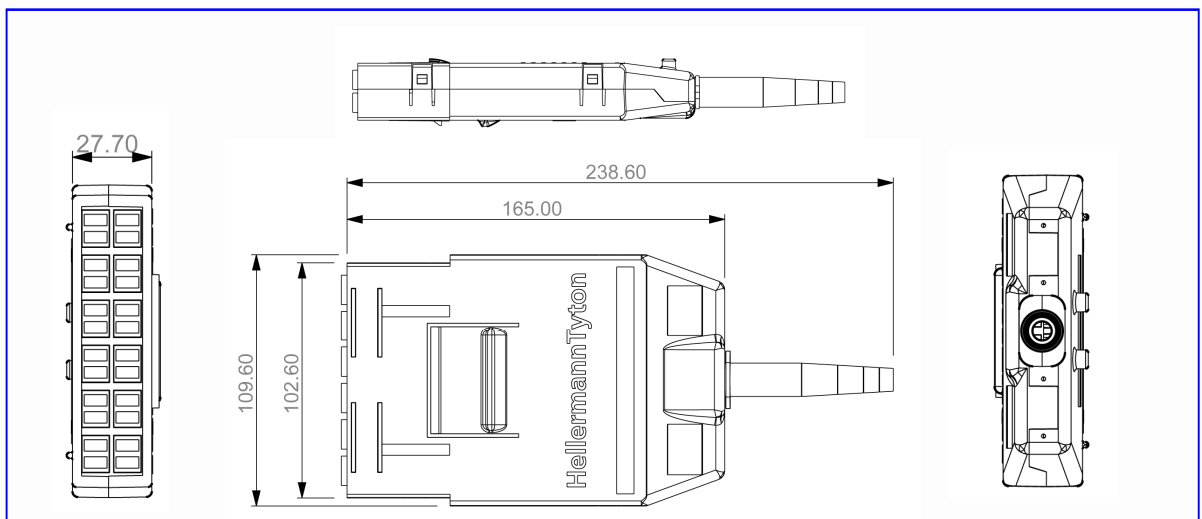
Ordering Code	Height	Width	Depth
FBFT06-SCSCM1-XX.XM	27.70mm	109.60mm	165.00mm
FBFT12-SCSCM1-XX.XM	27.70mm	109.60mm	165.00mm

- Port life min. 1000 insertions
- Disaster Recovery - Terminated and ready for use
- Communications Room - Cabinet to Cabinet
- Sporting Events - Re-usable for different events
- Business As Usual Refurbishment - 5pm - 9am after hours working
- Backbone configurations
- Covered by UK Patent 2398437, UK Patent 2410383, US Patent 7375282
- Cassette material - PC/ABS
- Installation time saving of up to 95%

Applications Supported

The RapidNet Fibre SC Multimode Cassette is designed to support a wide range of applications including Data Centres, campus connectivity and disaster recovery sites.

Technical Drawings



Ordering Codes Matrix

Use this ordering code matrix to help provide you with the part number for the RapidNet configuration you require.

RapidNet Fibre part numbering															
							-						-		.
RapidNet	R	N													
Fibre terminated			F	T											
Duplex					D										
Simplex					S										
24 core						2	4								
12 core						1	2								
6 core						0	6								
LC adapter								L	C						
SC adapter								S	C						
LC adapter										L	C				
SC adapter										S	C				
OM1												M	1		
OM2												M	2		
OM3												M	3		
OS1												S	1		
OS2												S	2		
Length															
Meters															M
Blank															X

* For special parts the length characters will be moved and a special 5 digit number used this number will be issued by HellermannTyton.

Example	R	N	F	T	D	2	4	-	L	C	L	C	M	3	-	2	5	.	0	M
----------------	---	---	---	---	---	---	---	---	---	---	---	---	---	---	---	---	---	---	---	---



Tel: +44 (0) 1604 707420
Web: www.htdata.co.uk
Email: sales@htdata.co.uk