

Power Poles



Stylish, easy to use and extremely versatile, this range is an attractive, cost effective way of bringing Power, Voice and Data to the desk.

The unique design allows cables to be fed from both the floor and the ceiling and colour options are available to customise the Power Poles to individual requirements.

Features and Benefits

- 300mm, 500mm, 1m and 3.6m standard lengths
Data and Power cables can be separated
- Removable top plate. Clip on back boxes
- Constructed using lightweight Aluminium extrusion
- Extruded front and rear fascia
- Anodised finish. Available up to 4.5m high
- Power and Data ports available. Flush or surface mount wall plates

Technical Description

The unique design of the flush mounted fascia is easily cut to size without the need for any specialist tooling. The outlet fascia is designed to accept 50 x 25mm Alpha Snap modules with optional easy-fit for power sockets.

Power and data cables can be channelled to the front or the back of the pole without the use of additional separators or by using separators they can be channelled in the same side of the Power Pole.

The unit can be securely bolted to the floor by the use of a mounting bracket or to the ceiling by using an adjustable bracket, which is designed to compensate for uneven fixing surfaces. The fixings and fittings are covered with plastic flanges to the floor and the ceiling.

The Power Pole has an anodised finish to protect it from oxidation and tarnishing.

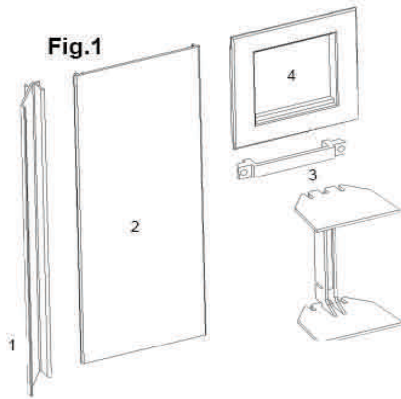


Fig1.
Shows the various components of the Power Pole.
1. Cable separator extrusion
2. Front lid extrusion
3. Back Clip assembly
4. Flush mount faceplate

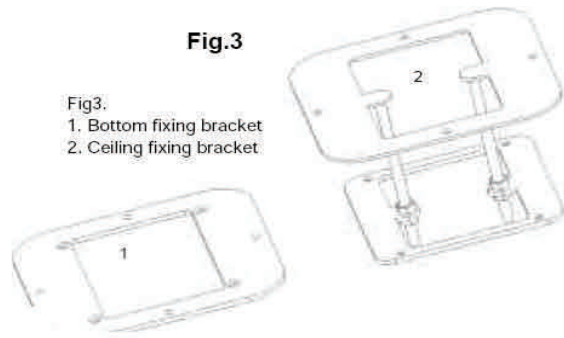


Fig3.
1. Bottom fixing bracket
2. Ceiling fixing bracket

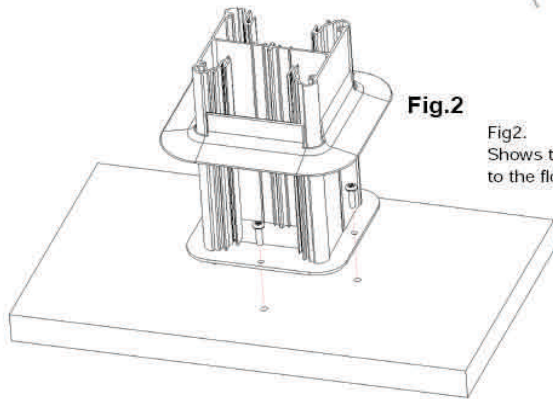


Fig.2
Shows the bottom of the Power Pole being secured to the floor using the bottom fixing bracket.

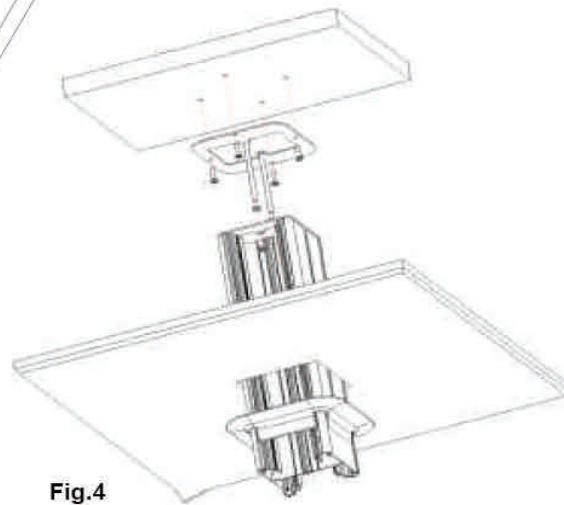


Fig.4
Shows the Power Pole being fixed to the ceiling, using the ceiling bracket.

Ordering Codes:

- | | |
|----------------|-----------------|
| PPF3600 | 3.6M Power Pole |
| PPF1000 | 1M Power Pole |
| PPF500 | 0.5M Power Pole |

ISO 14001



Certificate No. EMS 504454

HellermannTyton Data Ltd Salthouse Road Cornwell Business Park
Brackmills Northampton NN4 7EX

Tel +44 (0)1604 707420 Fax +44 (0)1604 705454

Email: sales@htdata.co.uk Home Page: <http://www.htdata.co.uk>

ISO 9001



Certificate No. FM 34289