



- 25 Year System Warranty
- Exceeds ISO/IEC Performance Standards
- Unique Slide Label System

Product Description

The GigaBand outlet forms part of the premium Cat6 GigaBand product range from HellermannTyton. The individual modular design of the GigaBand system allows for uncompromised performance and quality.

GigaBand outlets offer exceptional Cat6 performance and are available in either standard (25mm x 50mm) or high density (50mm x 50mm) triple format.

The GigaBand triple outlet presents 3 Cat6 ports in a single gang or 6 ports in double gang face plate. The high density outlet offers the same name high quality Cat6 performance as the single GigaBand outlet.

Features and Benefits

- Exceeds all ISO/IEC 11801 and ANSI/TIA/EIA 568-C.2 Cat6 performance standards
- Patented slide label system plus software available
- Available in UTP and FTP (single versions)
- Manufactured to exacting ISO 9001 quality standards
- Triple outlet features 3 shuttered modular RJ45 outlets in a single gang fascia (86mm x 86mm)
- Rear cable tie point
- Colour options
- RoHS compliant - lead free
- Customised product facia available
- 568A or 568B wiring options
- Accepts Krone style punch down tools

Product Description	Ordering Code	UNS Number
GigaBand RJ45 Cat6 Outlet Single Module	0408IDCNG5E/WH	852-05185
GigaBand RJ45 Cat6 Outlet Triple Module	ASFP03-3L-NGB/WH	852-05305

Technical Description

GigaBand outlets are available in both proprietary (Alpha Snap) and industry standard (Easy Clip) mounting sizes.

The GigaBand outlets are tested to exceed all ISO/IEC 11801 and ANSI/TIA/EIA 568-C.2 Cat6 performance standards. The GigaBand outlet offers backward compatibility with Cat5E, Cat5 and voice products.

The 'Alpha Label' software package, available for download at www.htdata.co.uk enables straight forward port labelling.

Dimensions and Product Construction Specification

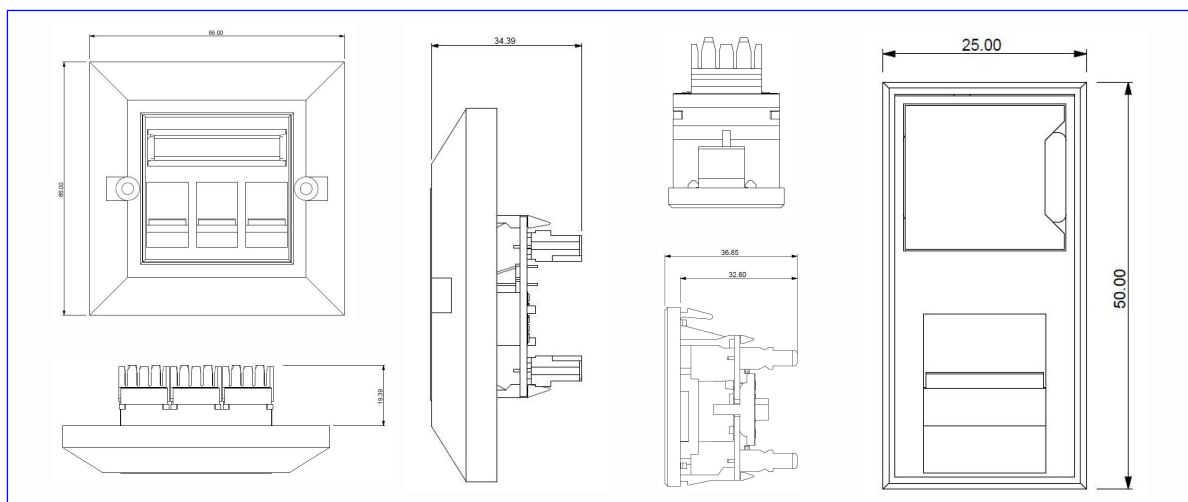
Ordering Code	Height	Width	Depth	Weight (Approx)
AS08IDCNGB/WH	50.00mm	25.00mm	34.39mm	29g
ASFP03-3L-NGB/WH	50.00mm	50.00mm	34.39mm	40g

- Jack life min. 1000 insertions
- IDC life up to 50 re-insertions
- Max. of two wires per IDC contact (same gauge)
- Wire gauge 22-24 AWG
- Module material - ABS

Applications Supported

The GigaBand Cat6 products are designed to support any data or voice protocol running over a Cat6 cabling system and is backwards compatible with existing Cat5E, Cat5 and voice network infrastructure.

Technical Drawings

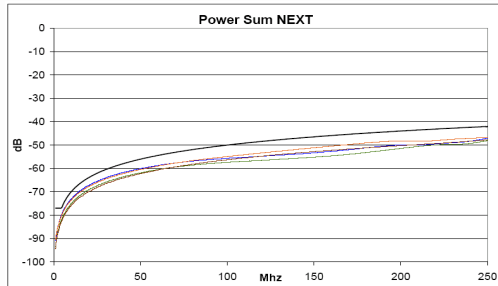


For Panel cut outs the hole needs to be XXMM x XXMM on a panel thickness of XXMM.

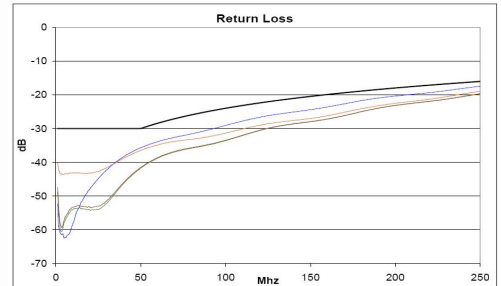
**Connecting Hardware Test
(Outlet only)**

Tested from: 1 MHz
Tested to: 250 MHz
Standard: ISO/IEC 11801 and ANSI/TIA/EIA 568-C.2
Limits: Cat6 - Connector

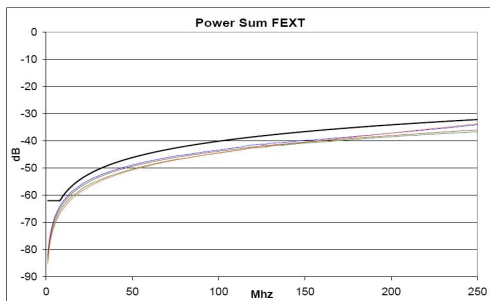
PS NEXT



Return Loss



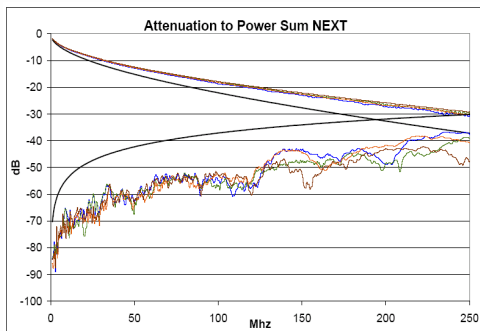
PS FEXT



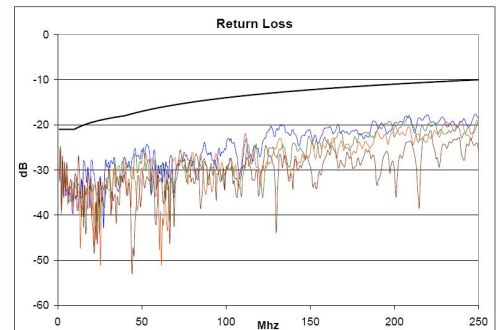
**Channel Test
(Patch Cable, Patch Panel, Cable, Outlet)**

Tested from: 1 MHz
Tested to: 250 MHz
Standard: ISO/IEC 11801 and ANSI/TIA/EIA 568-C.2
Limits: Cat6 - Link

Channel PS NEXT & Attenuation



Channel Return Loss



Tel: +44 (0) 1604 707420
Web: www.htdata.co.uk
Email: sales@htdata.co.uk